



PGR15

REACH-IN

PLANT GROWTH

REACH-IN

CONVIRON®

PGR15 REACH-IN



PLANT GROWTH

Product Overview/Applications

The PGR15 offers 16 ft² of growth area and 57 inches of growth height making it suitable for a range of applications including the growth of many tall plant species to full maturity. Standard is a counter balanced light canopy system. Shipped fully assembled, the PGR15 fits through standard doorways. Please consult Conviron with your particular application and area of research and we will provide you with an overview of the available options.

Lighting

The light intensity for the PGR15 is 875 micromoles/m²/s using both fluorescent and incandescent lamps which results in a broad based lighting spectrum. Lighting is switched in four levels for each lamp type and is monitored by a quantum light meter and displayed in micromoles/m²/s on the controllers status screen for user readout. Also standard is a counter-balanced light canopy, with 6-foot lamps, which enables height adjustment between the lamp canopy and the research material. Lamp heat is controlled and managed by the refrigeration system.

Airflow

Airflow for the PGR15 is distributed uniformly upward using Conviron's innovative *Unifloor*[®] air distribution plenum. The unit includes fresh air intake and exhaust ports which are adjustable to allow up to 20 ft³/min (0.57m³/min.) of air exchange.

Refrigeration

Cooling for the PGR15 is provided by a self-contained water-cooled condensing unit with hot gas bypass for continuous compressor operation. An electronic modulating valve provides tight temperature control while ensuring quiet operation. Pressure transducers are included for monitoring the status of the refrigeration system. Alternative refrigeration methods are available depending on site-specific and/or user-defined requirements. Consult the factory for heat rejection information and other refrigeration options.

Experiment Protection

User programmable "set and forget" alarms track the chamber's operation versus user-defined set points. This allows for exceptionally accurate monitoring without the need for adjustment every time the set point is redefined. Backup "high/low" alarms provide a further level of protection while visual and audible notification is provided when any alarm is activated. Contacts for connection to a building management system are also included.

Key Product Attributes

- 16 ft² of growth area and 57 inches of growth height – suitable for tall plant species to full maturity
- Counter balanced lighting system with 6-foot lamps
- Shipped fully assembled – fits through standard doorways
- Product certifications/markings; _cCSA_{US} (NRTL), CE



Performance Data

Temperature Range (°C)	Interior Capacity	Growth Area	Growth Height	Exterior Dimensions (WxDxH)	Light Intensities (6in. from lamp)	Electrical Service	Weight
10 – 45 lights on	78ft ³	16.1ft ²	57"	104" x 35" x 78"	875 μmoles/m ² /s	120/208-3Ø-60Hz	1355lb.
4 – 45 lights off	(2220l)	(1.5m ²)	(1450mm)	2640 x 890 x 1980 (mm)	@ 25°C	220/380-3Ø-50Hz	(615kg)

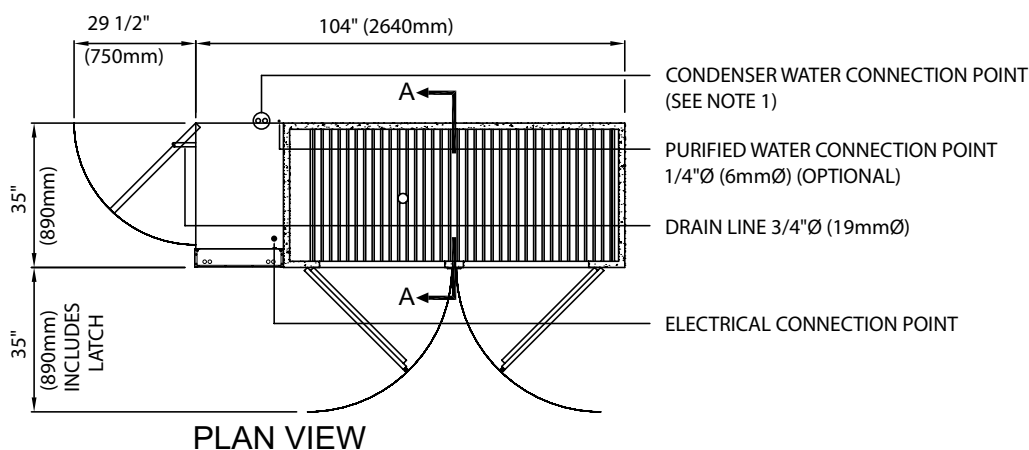
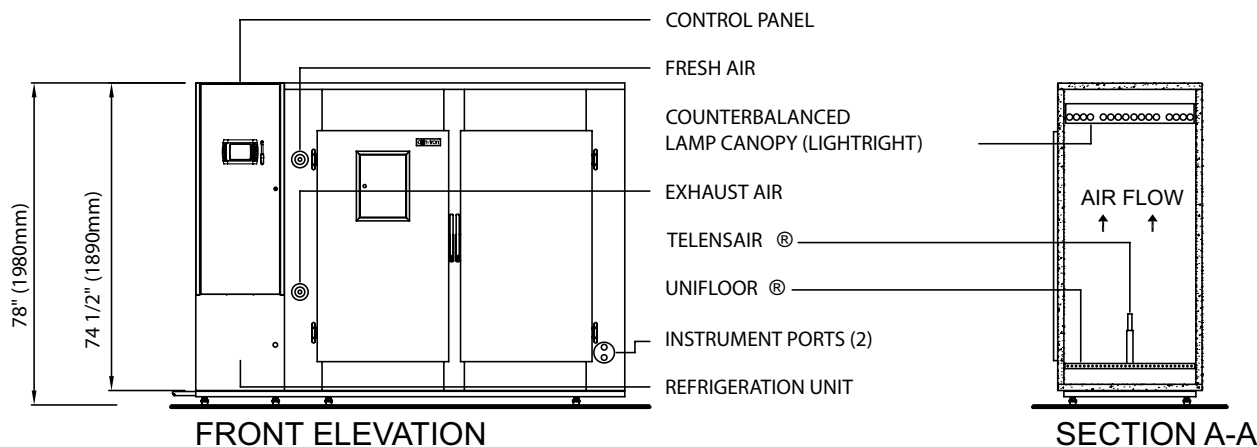
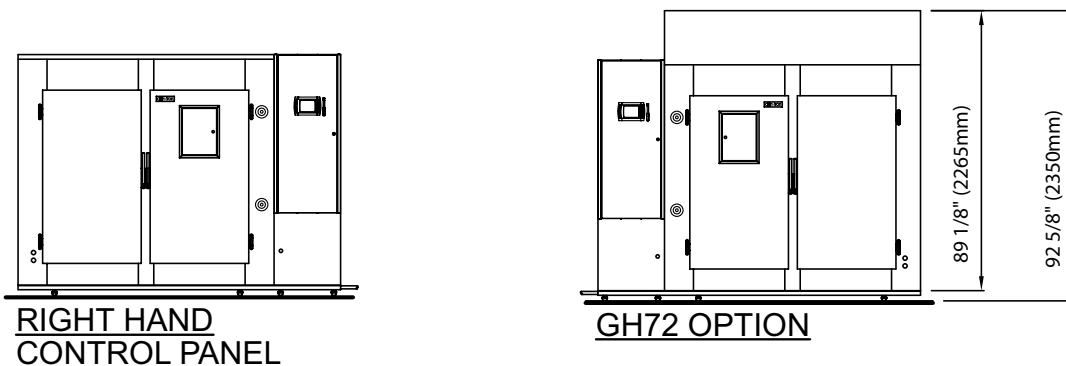
CONVIRON MODEL PGR15

PLANT GROWTH CHAMBER



NOTES:

1. STANDARD REFRIGERATION SYSTEM IS WATER COOLED (1/2"Ø (13mmØ) CONNECTION).
2. REQUIRE A MINIMUM OF 2" (51mm) FROM REAR OF CHAMBER TO BACK WALL.
3. CASTER OPTION ADDS 2" (51mm) TO OVERALL HEIGHT OF CHAMBER.
4. DEPTH DIMENSION IS CHAMBER SIZE ONLY. DIMENSION DOES NOT INCLUDE DOOR LATCH OR PIPING ON BACK WALL.
5. LENGTH AND WIDTH DIMENSIONS ±1/4 (6mm). HEIGHT DIMENSION ±1" (25mm). DO NOT SCALE DRAWING.



PGR15 PLANT GROWTH CHAMBER

DATE ISSUED: 06/04/09
DRAWING NO. 231156



