

# GR Series

WALK-IN  
PLANT GROWTH

# GR SERIES WALK-IN

## PLANT GROWTH

### Product Overview/Applications

The GR series of walk-in rooms, available in six standard sizes, is a highly economical platform for providing a controlled environment in a walk-in configuration. This series of chamber offers low to moderate level light intensities using multiple light canopies. The temperature range is narrower than on other Conviron walk-in chambers which affords greater energy efficiency and economy. The multi-lamp-canopy configuration enables researchers to have several experiments running simultaneously with plants at varying levels of maturity.

### Lighting

The standard lighting package for the GR series is a low to moderate level light intensity design that incorporates both T5 fluorescent and halogen incandescent lamps. This ensures a broad based light spectrum that is ideally suited for plant growth. Multiple lighting levels are provided with the ability to program lamp groups separately while the adjustable Lightright™ canopy enables the researcher to easily raise and lower the lamps to the desired height. Higher light intensities area available on this model.

### Airflow

The airflow design directs air downward along the center aisle way. Air is then redirected returning upward between the plants and through the lamp canopies. Filtered and adjustable fresh air intake enables researchers to exchange air to the chamber in a controlled manner.

### Refrigeration

Cooling for the GR series is provided by a self-contained water-cooled condensing unit with hot gas bypass for continuous compressor operation. An electronic modulating valve provides tight temperature control while ensuring quiet operation. Pressure transducers are included for monitoring the status of the refrigeration system. Alternative refrigeration methods are available depending on site-specific and/or user-defined requirements. Consult the factory for heat rejection information and other refrigeration options.

### Experiment Protection

User programmable "set and forget" alarms track the chamber's operation versus user-defined set points. This allows for exceptionally accurate monitoring without the need for adjustment every time the set point is redefined. Backup "high/low" alarms provide a further level of protection while visual and audible notification is provided when any alarm is activated. Contacts for connection to a building management system are also included.

### Key Product Attributes

- Multiple lamp canopies for varying plant maturity levels
- Efficient growth area-to-footprint ratio
- Economical platform
- Lightright™ for enhanced flexibility of light intensity
- Product certifications/markings; cCSA<sub>US</sub> (NRTL), CE



### Performance Data

	Temperature Range (°C)	Interior Capacity	Growth Area	Growth Height	Exterior Dimensions (WxDxH)	Light Intensities (6in. from lamp)	Electrical Service	Weight
<b>GR48</b>	15 – 35 lights on	320ft <sup>3</sup>	48ft <sup>2</sup>	80"	116" x 116" x 102.25"	600 μmoles/m <sup>2</sup> /s	120/208-3Ø-60Hz	4200lb.
	5 – 25 lights off	(9061l)	(4.5m <sup>2</sup> )	(2030mm)	2950 x 2950 x 2600 (mm)	@ 25°C	230/400-3Ø-50Hz	(1905kg)
<b>GR64</b>	15 – 35 lights on	420ft <sup>3</sup>	64ft <sup>2</sup>	80"	139" x 116" x 102.25"	600 μmoles/m <sup>2</sup> /s	120/208-3Ø-60Hz	5340lb.
	5 – 25 lights off	(11900l)	(5.9m <sup>2</sup> )	(2030mm)	3530 x 2950 x 2600 (mm)	@ 25°C	230/400-3Ø-50Hz	(2422kg)
<b>GR96</b>	15 – 35 lights on	640ft <sup>3</sup>	96ft <sup>2</sup>	80"	116" x 208" x 102.25"	600 μmoles/m <sup>2</sup> /s	120/208-3Ø-60Hz	6100lb.
	5 – 25 lights off	(17900l)	(8.9m <sup>2</sup> )	(2030mm)	2950 x 5285 x 2600 (mm)	@ 25°C	230/400-3Ø-50Hz	(2768kg)
<b>GR128</b>	15 – 35 lights on	850ft <sup>3</sup>	128ft <sup>2</sup>	80"	139" x 208" x 102.25"	600 μmoles/m <sup>2</sup> /s	120/208-3Ø-60Hz	6800lb.
	5 – 25 lights off	(23960l)	(11.9m <sup>2</sup> )	(2030mm)	3530 x 5285 x 2600 (mm)	@ 25°C	230/400-3Ø-50Hz	(3084kg)
<b>GR144</b>	15 – 35 lights on	960ft <sup>3</sup>	144ft <sup>2</sup>	80"	116" x 300" x 102.25"	600 μmoles/m <sup>2</sup> /s	120/208-3Ø-60Hz	7150lb.
	5 – 25 lights off	(26800l)	(13.5m <sup>2</sup> )	(2030mm)	2950 x 7620 x 2600 (mm)	@ 25°C	230/400-3Ø-50Hz	(3243kg)
<b>GR192</b>	15 – 35 lights on	1280ft <sup>3</sup>	192ft <sup>2</sup>	80"	139" x 300" x 102.25"	600 μmoles/m <sup>2</sup> /s	120/208-3Ø-60Hz	7850lb.
	5 – 25 lights off	(36000l)	(18m <sup>2</sup> )	(2030mm)	3530 x 7620 x 2600 (mm)	@ 25°C	230/400-3Ø-50Hz	(3561kg)

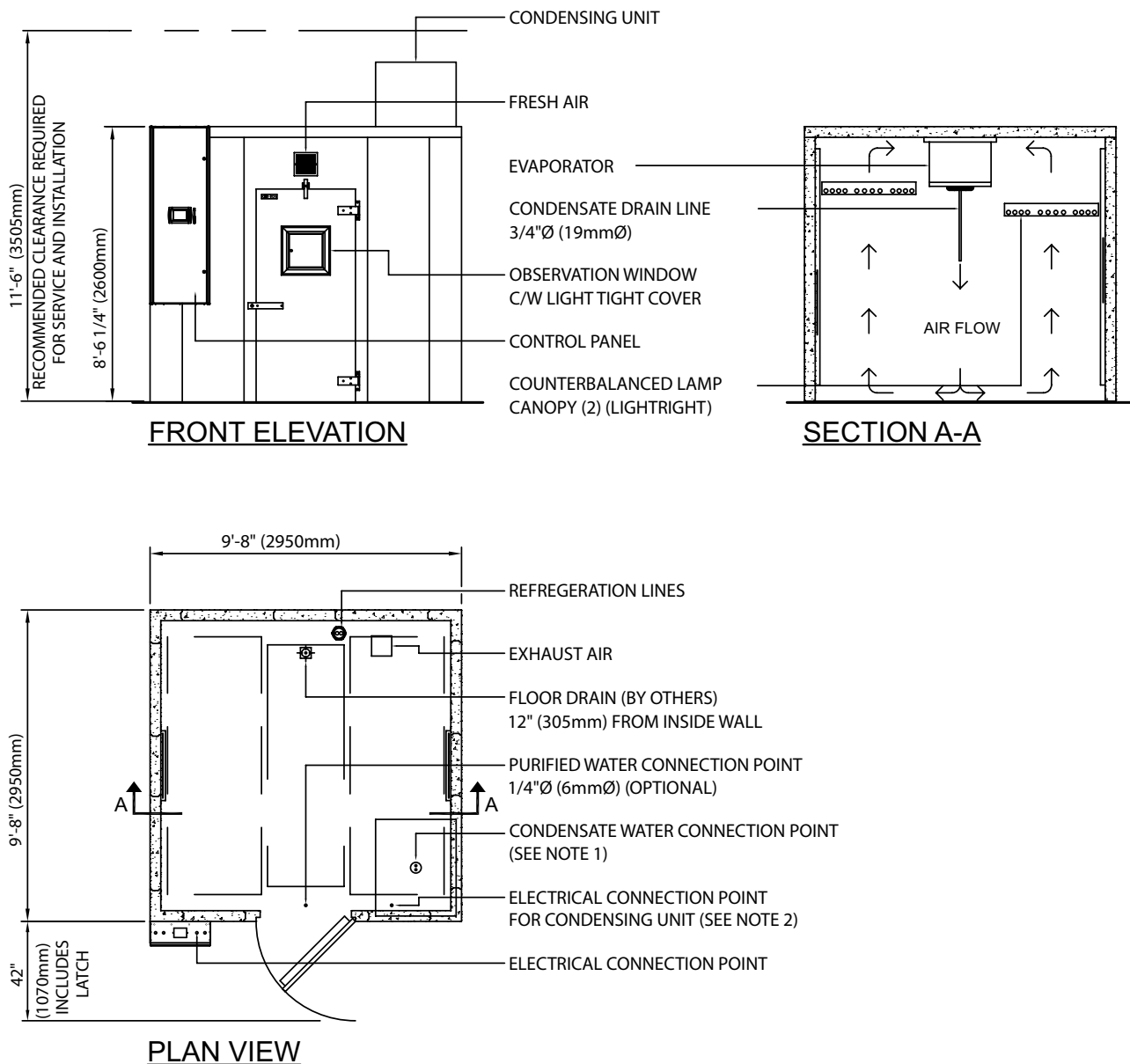
# CONVIRON MODEL GR SERIES

## PLANT GROWTH CHAMBER



### NOTES:

1. STANDARD REFRIGERATION SYSTEM IS WATER COOLED (3/4"Ø (19mmØ) CONNECTION).
2. CONDENSING UNIT REQUIRES SEPERATE ELECTRICAL SERVICE (60HZ APPLICATION ONLY).
3. DEPTH DIMENSION IS CHAMBER SIZE ONLY. DIMENSION DOES NOT INCLUDE DOOR LATCH.
4. LENGTH AND WIDTH DIMENSIONS ±1/4 (6mm). HEIGHT DIMENSION ±1" (25mm).



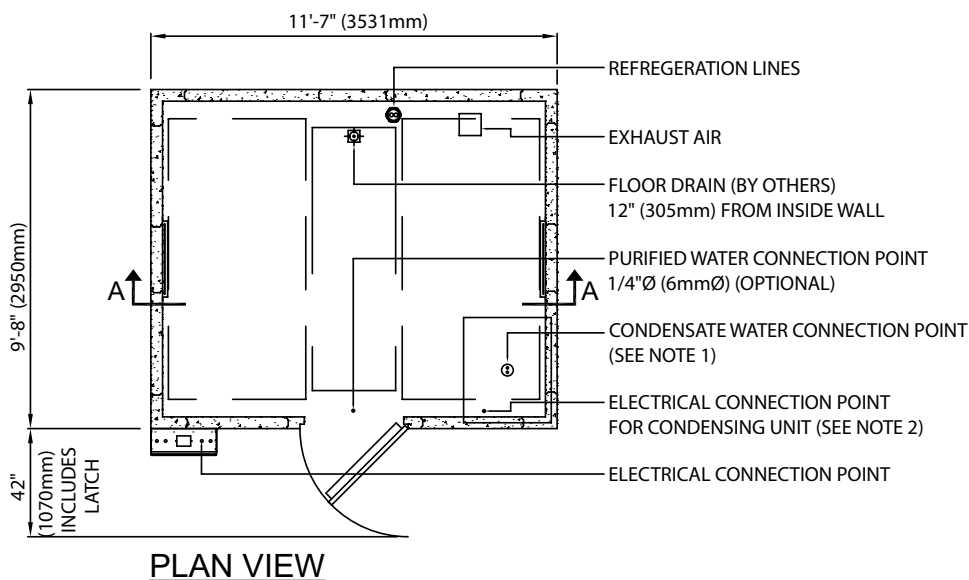
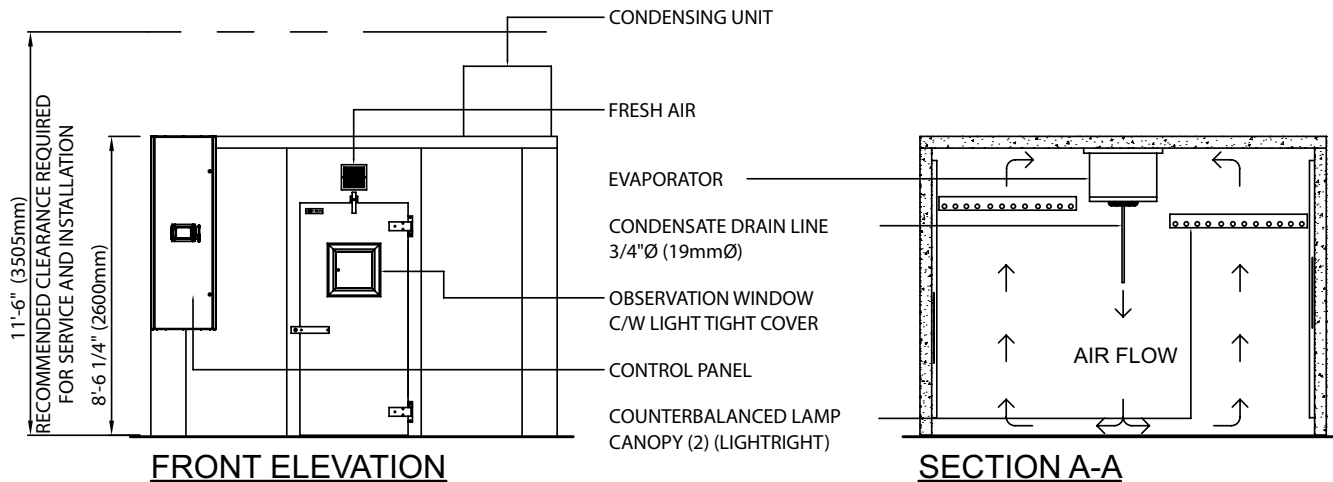
# CONVIRON MODEL GR SERIES

## PLANT GROWTH CHAMBER



### NOTES:

1. STANDARD REFRIGERATION SYSTEM IS WATER COOLED (3/4"Ø (19mmØ) CONNECTION).
2. CONDENSING UNIT REQUIRES SEPERATE ELECTRICAL SERVICE (60HZ APPLICATION ONLY).
3. DEPTH DIMENSION IS CHAMBER SIZE ONLY. DIMENSION DOES NOT INCLUDE DOOR LATCH.
4. LENGTH AND WIDTH DIMENSIONS ±1/4 (6mm). HEIGHT DIMENSION ±1" (25mm).



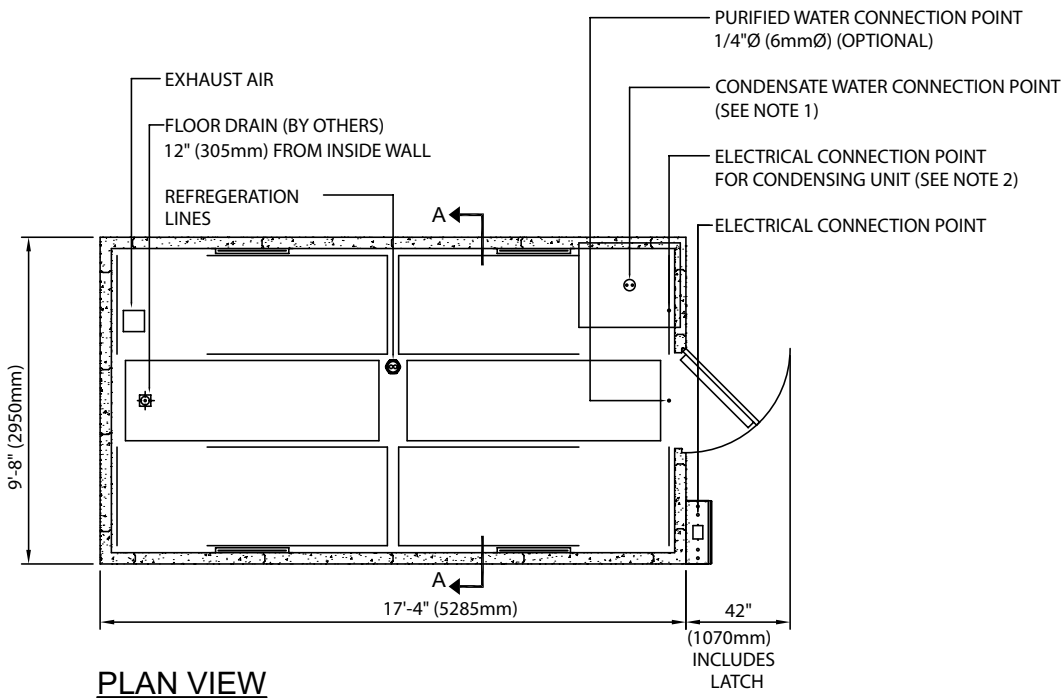
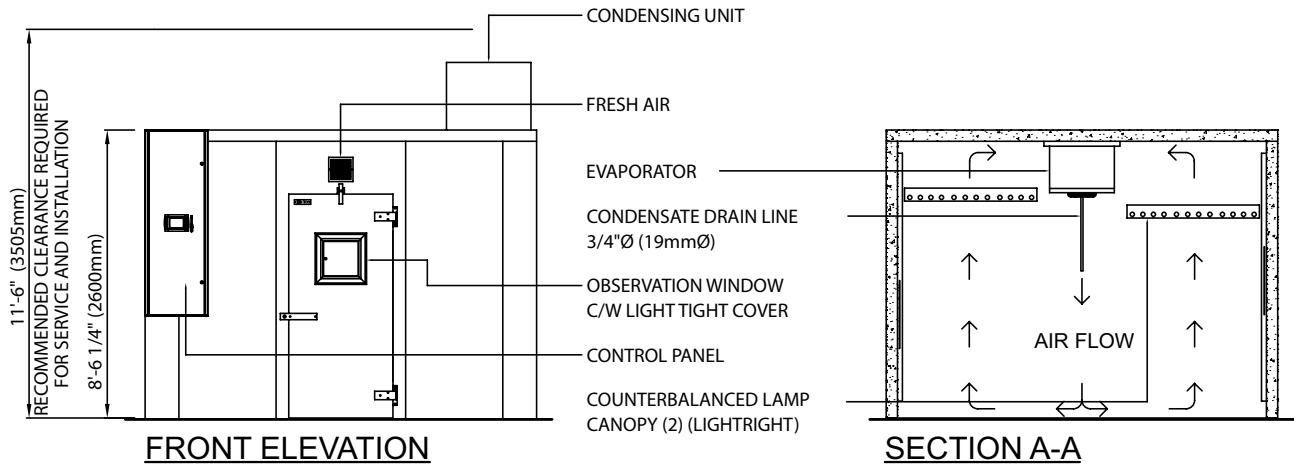
# CONVIRON MODEL GR SERIES

## PLANT GROWTH CHAMBER



### NOTES:

1. STANDARD REFRIGERATION SYSTEM IS WATER COOLED (3/4"Ø (19mmØ) CONNECTION).
2. CONDENSING UNIT REQUIRES SEPERATE ELECTRICAL SERVICE (60HZ APPLICATION ONLY).
3. DEPTH DIMENSION IS CHAMBER SIZE ONLY. DIMENSION DOES NOT INCLUDE DOOR LATCH.
4. LENGTH AND WIDTH DIMENSIONS ±1/4 (6mm). HEIGHT DIMENSION ±1" (25mm).



### GR96 PLANT GROWTH CHAMBER

DATE ISSUED: 10/20/09

DRAWING NO. 231181

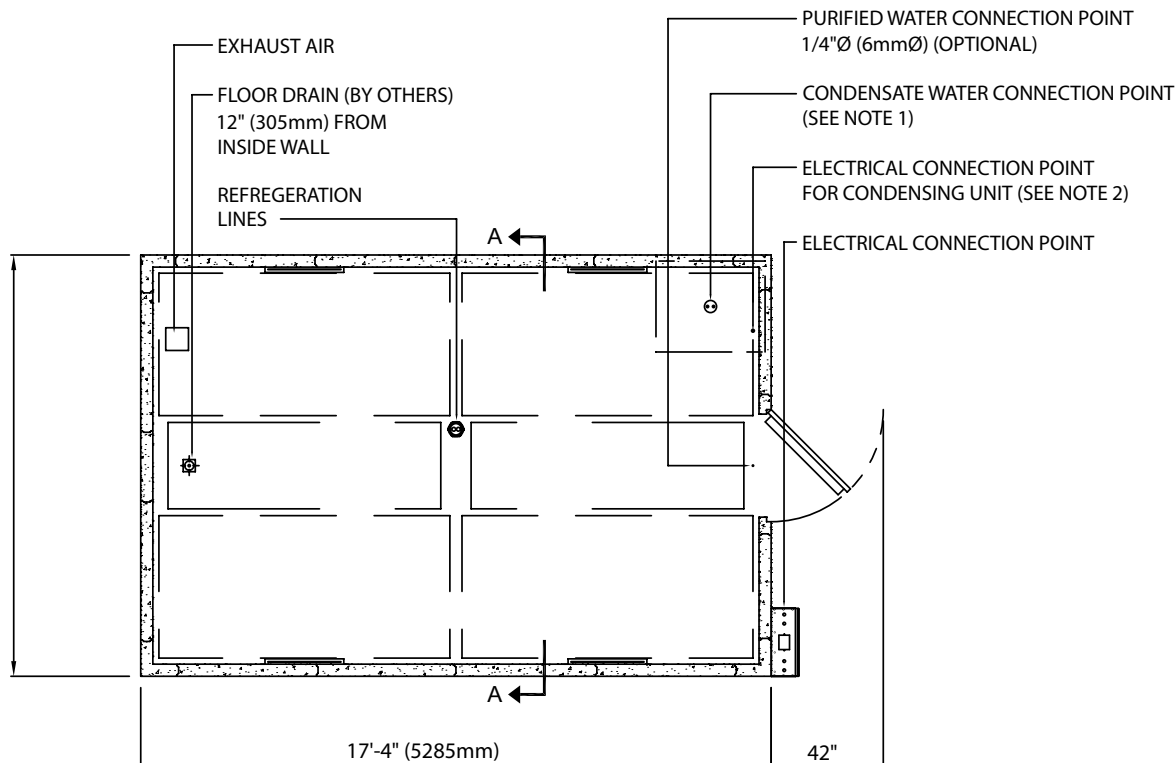
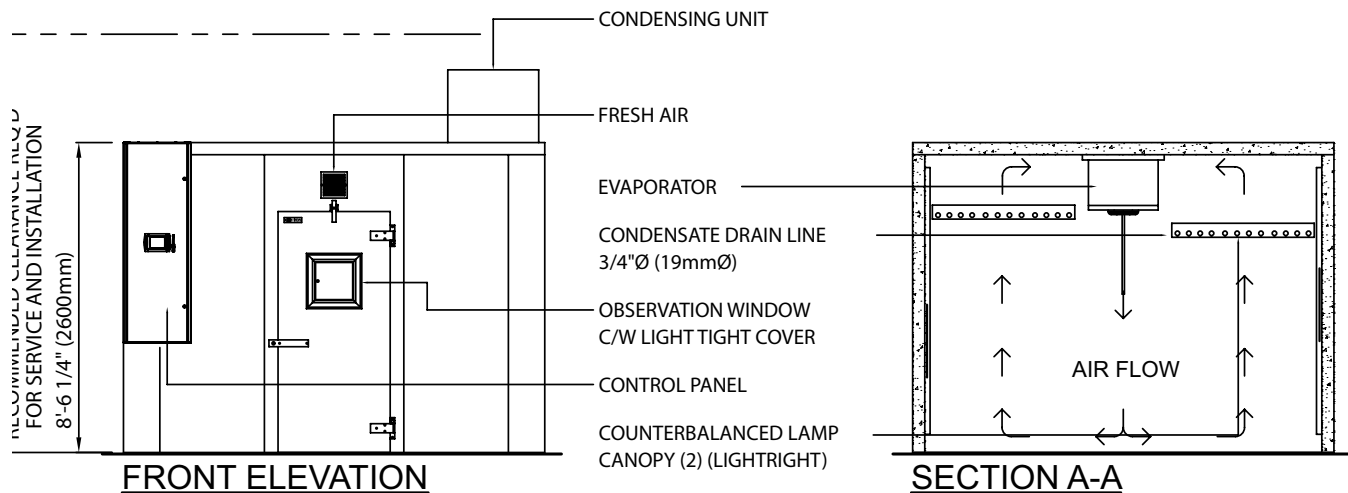
# CONVIRON MODEL GR SERIES

## PLANT GROWTH CHAMBER



### NOTES:

1. STANDARD REFRIGERATION SYSTEM IS WATER COOLED (3/4"Ø (19mmØ) CONNECTION).
2. CONDENSING UNIT REQUIRES SEPERATE ELECTRICAL SERVICE (60HZ APPLICATION ONLY).
3. DEPTH DIMENSION IS CHAMBER SIZE ONLY. DIMENSION DOES NOT INCLUDE DOOR LATCH.
4. LENGTH AND WIDTH DIMENSIONS ±1/4 (6mm). HEIGHT DIMENSION ±1" (25mm).



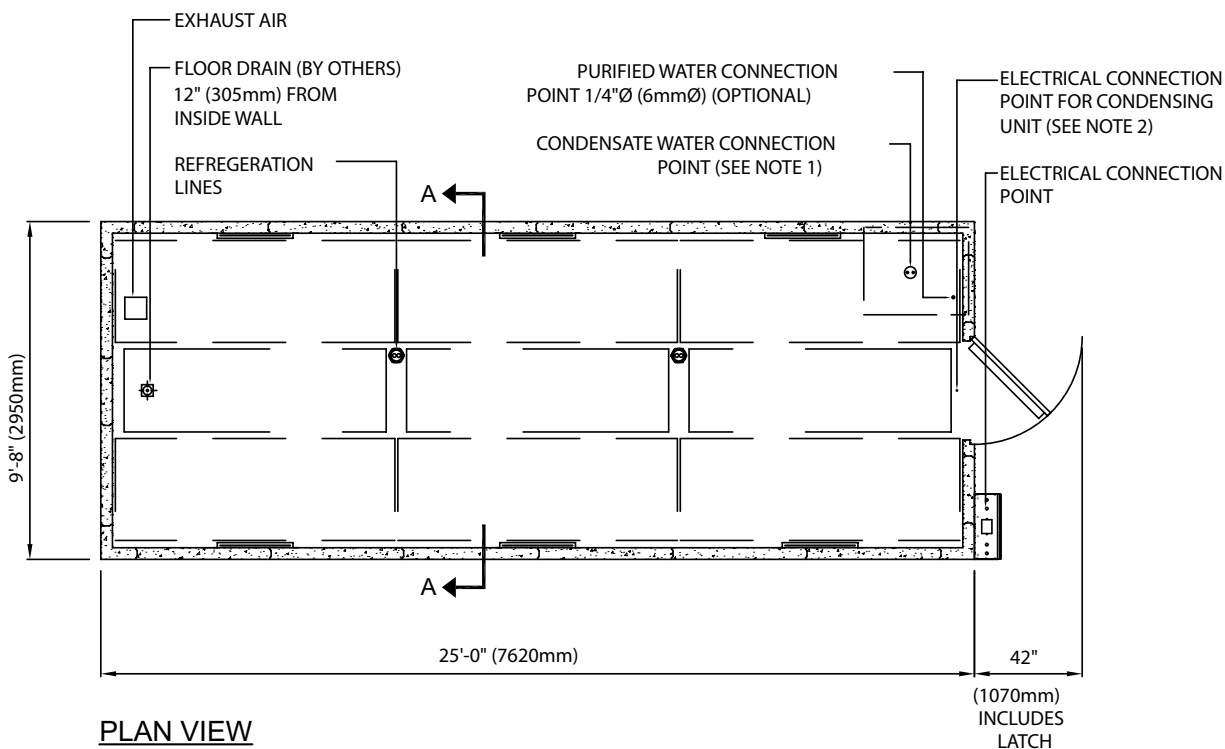
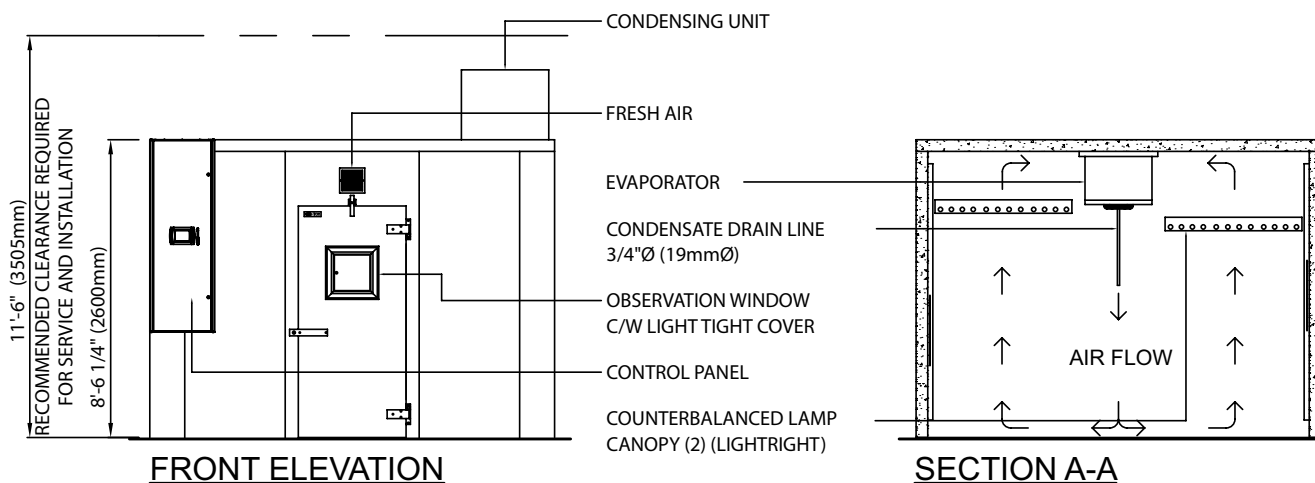
# CONVIRON MODEL GR SERIES

## PLANT GROWTH CHAMBER



### NOTES:

1. STANDARD REFRIGERATION SYSTEM IS WATER COOLED (3/4"Ø (19mmØ) CONNECTION).
2. CONDENSING UNIT REQUIRES SEPERATE ELECTRICAL SERVICE (60HZ APPLICATION ONLY).
3. DEPTH DIMENSION IS CHAMBER SIZE ONLY. DIMENSION DOES NOT INCLUDE DOOR LATCH.
4. LENGTH AND WIDTH DIMENSIONS ±1/4 (6mm). HEIGHT DIMENSION ±1" (25mm).



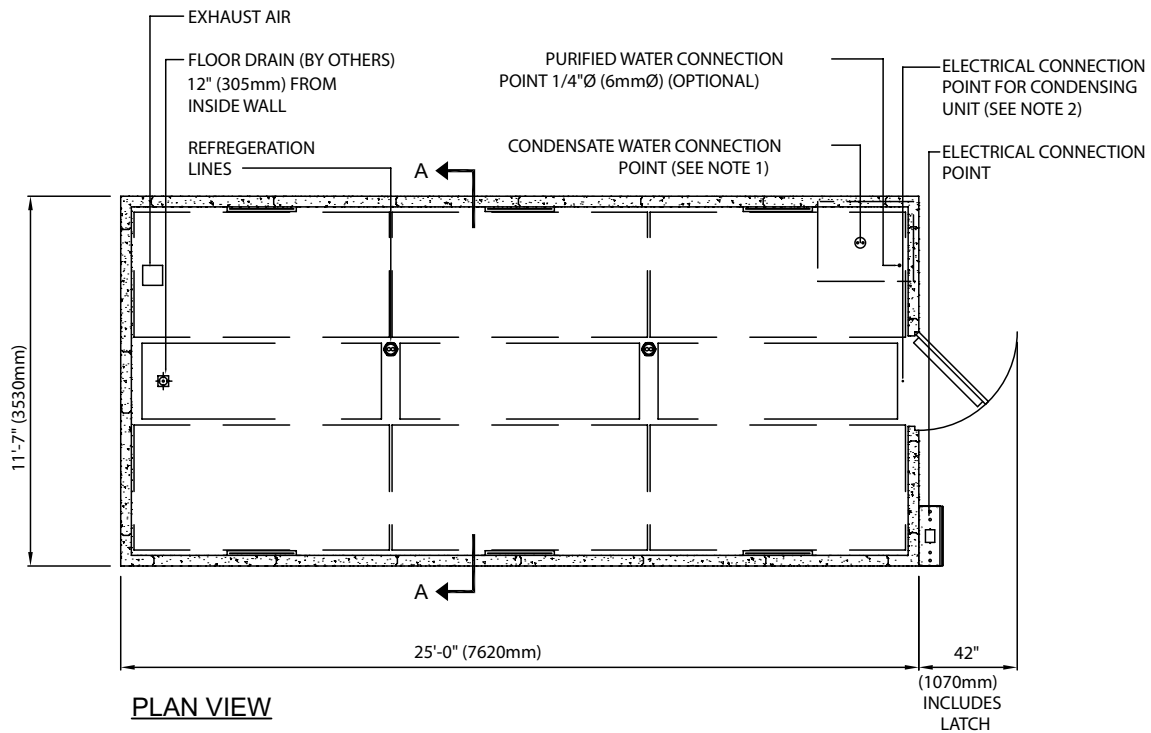
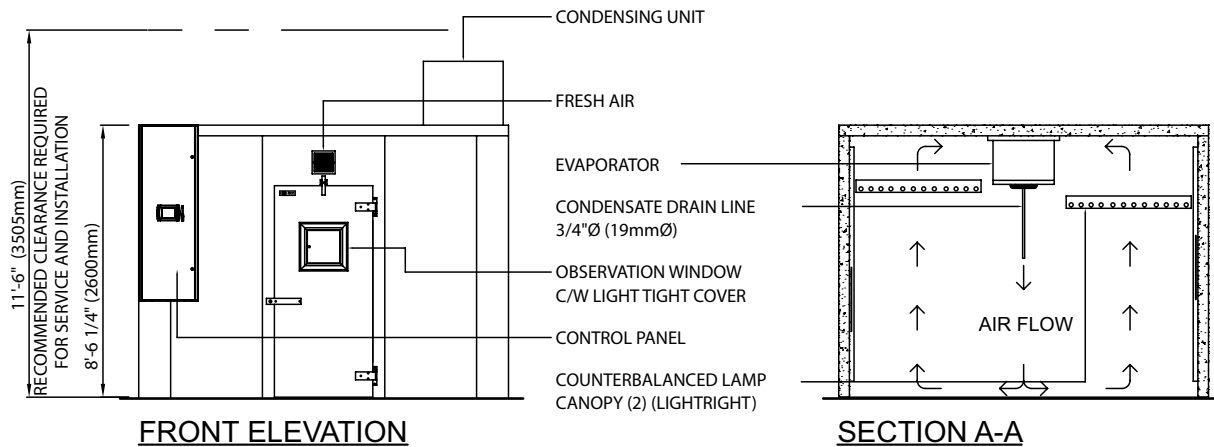
# CONVIRON MODEL GR SERIES

## PLANT GROWTH CHAMBER



### NOTES:

1. STANDARD REFRIGERATION SYSTEM IS WATER COOLED (3/4"Ø (19mmØ) CONNECTION).
2. CONDENSING UNIT REQUIRES SEPERATE ELECTRICAL SERVICE (60HZ APPLICATION ONLY).
3. DEPTH DIMENSION IS CHAMBER SIZE ONLY. DIMENSION DOES NOT INCLUDE DOOR LATCH.
4. LENGTH AND WIDTH DIMENSIONS ±1/4 (6mm). HEIGHT DIMENSION ±1" (25mm).



### GR192 PLANT GROWTH CHAMBER

DATE ISSUED: 10/20/09

DRAWING NO. 231183